



Manufacturers of Transient Voltage Surge Suppression Products

Proven to cut downtime and replacement part costs

PRODUCT SERIES:	ZONEBARRIER: “The effective barrier between surges and sensitive I/O ports.”
ASC ORDER #:	24580
APPLICATION:	The 24580 protects 24V DC/AC power interfaces from transients caused by direct or indirect lightning strikes.
TECHNOLOGY:	High energy MOVs are combined in a network to form three distinct stages of protection.
INSTALLATION:	This ZoneBarrier can be mounted on a standard 35mm DIN rail, or to any flat surface for standalone applications.
APPROVAL:	Tested to IEC801-5, CCITT K17

SPECIFICATIONS

Circuit Type: Parallel high energy MOV

Lines Protected: 2 + G

Connectors: 3 Pos. Pluggable Terminal Strip

Surge Capacity: 10,000A 8/20 impulse per line
10,000A 8/20 shield to ground

Let-through Voltage: 87V @ 5kV (10/700 μ s) CCITT K17
100V @ 1kA, 8/20 μ s

Clamping Voltage: <30Vac/42Vdc

Rated Voltage: 24Vdc or ac

Max. Continuous Operating Voltage (MCOV): 30VDC

Max Leakage Current: 5 μ A @ rated Voltage

Max Load Current: 10A

Max Inline Resistance: 0 Ohms

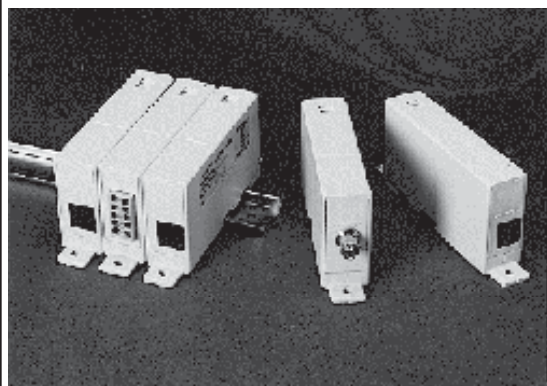
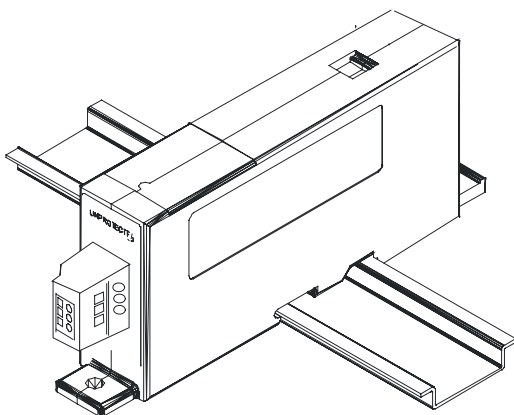
Case Dimensions: 5.1" x 2.3" x 1.0" overall

Ambient Temperature Limits: -40° F to +185° F (working)
-40° C to +85° C (working)

Humidity: 95% RH (non-condensing)

Response Time: <1nS

Band Width: N/A



ZoneBarrier Series Communication/Data Line Protection

Over 40 models covering all applications.

Mix and match any combination of Telco, Data and LAN protection
UL497A, UL497B, UL certified Cat 5.

Mounts on a rail for multiport protection.

Fixes individually to any flat surface, for single port protection.