



## Zoned Surge Protection Products

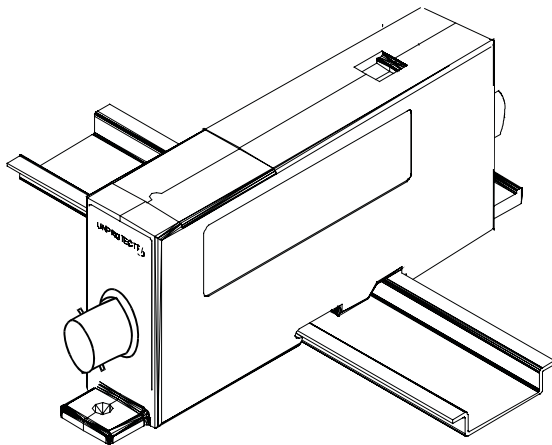
*Proven to cut downtime and replacement part costs*

<b>PRODUCT SERIES:</b>	ZONEBARRIER: “The effective barrier between surges and sensitive I/O ports.”
<b>ASC ORDER #:</b>	24584
<b>APPLICATION:</b>	The 24584 protects broadband video interfaces from transients caused by direct or indirect lightning strikes.
<b>TECHNOLOGY:</b>	High energy gas discharge tubes are combined with Silicon Avalanche Diodes and current limiting components to form three distinct stages.
<b>INSTALLATION:</b>	This ZoneBarrier can be mounted on a standard 35mm DIN rail, or to any flat surface for standalone applications.

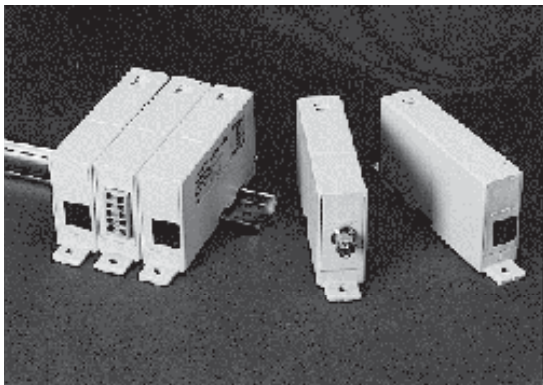
### SPECIFICATIONS

*Tested in accordance with:*

ANSI/IEEE C62.41 & C62.45  
BS 6651  
IEC 61643-21  
CCITT K17



**Circuit Type:** 3 Stage Series Hybrid  
**Lines Protected:** 1  
**Connectors:** BNC (75 Ohms)  
**Surge Capacity:** 10,000A 8/20 impulse per line **Clamp Voltage ( $U_p$ ):** 15V @ 1kA, 8/20 $\mu$ s  
**Max. Voltage ( $U_c$ ):** 8V (16V peak to peak)  
**Max. Signal Current:** 900mA  
**Max. Leakage Current:** 5  $\mu$ A @ rated Voltage **Max. Inline Resistance:** <0.5 Ohms  
**Max. Frequency:** 150MHz  
**Attenuation:** 0.1dB @ 10MHz  
**VSWR:** 1.20  
**Category Tested:** A2, B2, C1, C2, C3, D1  
**Case Dimensions:** 5.1" x 2.3" x 1.0" overall  
**Ambient Temp:** -40°F to +185°F (working)  
-40°C to +85°C (working)  
**Humidity:** 95% RH (non-condensing)



### **ZoneBarrier Series Communication/Data Line Protection**

Over 80 models covering all applications.  
Mix and match any combination of Telco, Data and LAN protection  
UL497A, UL497B, UL certified Cat 5.  
Mounts on a rail for multipoint protection.  
Fixes individually to any flat surface, for single port protection.