

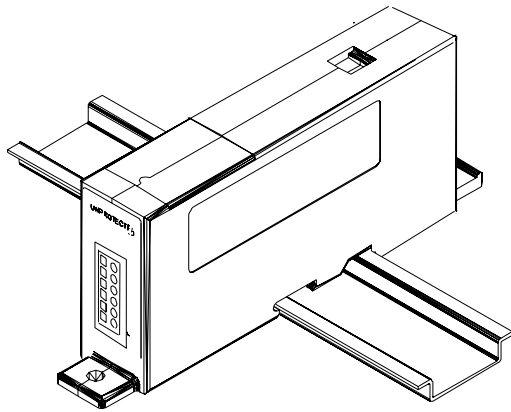


Manufacturers of Transient Voltage Surge Suppression Products

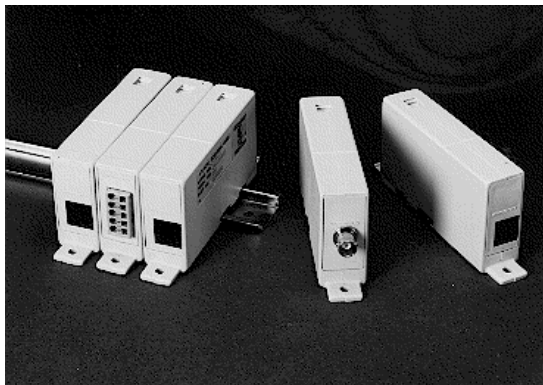
Proven to cut downtime and replacement part costs

PRODUCT SERIES:	ZONEBARRIER: “The effective barrier between surges and sensitive I/O ports.”
ASC ORDER #:	24587
APPLICATION:	The 24587 protects high speed RS485 digital interfaces from transients caused by direct or indirect lightning strikes.
TECHNOLOGY:	High energy gas discharge tubes are combined with a network of ultra fast diodes, silicon avalanche diodes and current limiting components to form five distinct stages of protection.
INSTALLATION:	This ZoneBarrier can be mounted on a standard 35mm DIN rail, or to any flat surface for standalone applications.
APPROVAL:	Tested to IEC801-5, CCITT K17

SPECIFICATIONS



Circuit Type: 5 Stage Series Hybrid
Lines Protected: 4
Connectors: 5 Pos. Cage-Clamp Terminal Strip
Surge Capacity: 10,000A 8/20 impulse per line
Let-through Voltage: 10V @ 5kV (10/700µs) CCITT K17
Clamp Voltage: 10V @ 3kA 8/20
Normal Working Voltage: 6V
Max. Working Voltage: 7.5V
Max. Leakage Current: 5 µA @ rated Voltage
Max Inline Resistance: 4.3 Ohms
Case Dimensions: 5.1” x 2.3” x 1.0” overall
Band Width: -3dB @ 50MHz in 50Ω system



ZoneBarrier Series Communication/Data Line Protection

Over 80 models covering all applications.
Mix and match any combination of Telco, Data and LAN protection
UL497A, UL497B, UL certified Cat 5.
Mounts on a rail for multiport protection.
Fixes individually to any flat surface, for single port protection.